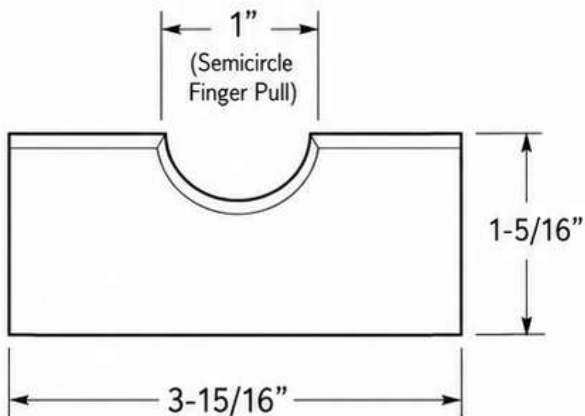


DRAWER FRONT (I)



All parts are 1/4" thick.

PARTS LIST / CUT LIST

(A)	Bottom Base — standard rectangle — 1/4" thick x 6" wide x 9-1/8" long
(B)	Side Panels (2) — 1/4" thick x 6" wide, sloped shape; back height 4-1/8", front height 1-3/8"
(C)	Back Wall — standard rectangle — 1/4" thick x 4-1/8" wide x 9-1/8" long
(D)	Back Slot Divider — rectangle — 1/4" thick x 4-1/8" wide x 9-1/8" long
(E)	Main Center Divider — sloped — 1/4" thick x 3-3/4" wide x 4-1/8" long
(F)	Left Storage Shelf — flat rectangle — 1/4" thick x 3-3/4" wide x 4" long
(G)	Right Front Lip — rectangle — 1/4" thick x 1-3/8" wide x 4-7/8" long
(H)	Cubby Dividers (2) — sloped — 1/4" thick x 3-3/4" wide
(I)	Drawer Front — rectangle — 1/4" thick x 1-5/16" wide x 3-15/16" long with 1" semicircle finger pull cutout
(J)	Drawer Sides / Back / Bottom — several custom-sized rectangular pieces