

Minecraft-Inspired Wooden Figures

A Safe, Structured Parent-Child Weekend Woodworking Plan

⚡ TEAMWORK SAFETY PROTOCOL

Parents: You are strictly in charge of all power tools, sharp saw blades, and drilling procedures. Keep kids at a designated safety-line distance (at least 5 feet) when active cutting occurs. **Kids:** You are the Lead Design Engineer! You are in charge of measuring layouts, sanding blocks smooth, test-fitting configurations, and complete creative artistic painting. Always wear safety glasses together!

📋 COLLABORATION OVERVIEW

Target Audience:	Parent + Child (Ages 6+)
Total Height:	6.25 Inches (Assembled)
Difficulty Level:	Kid-Friendly & Instructive
Key Wood Choice:	Basswood (Soft & Splinter-free)

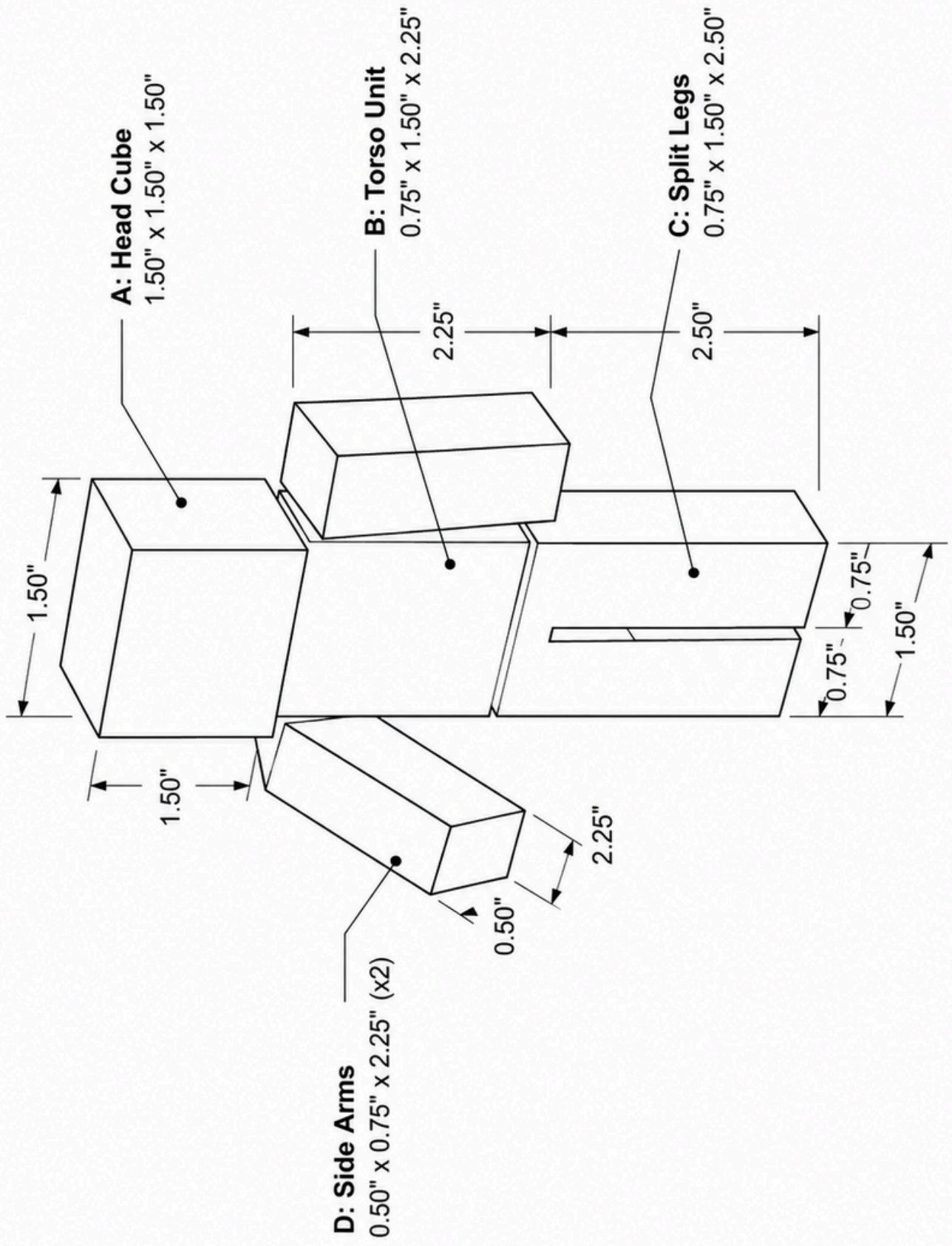
🪵 SAFE HOBBY MATERIALS

- **Head Stock:** 1.5" x 1.5" Square Basswood Hobby Block.
- **Body & Legs:** 1x2 Nominal Board (Actual: 0.75" x 1.5")
Select Poplar or Basswood.
- **Arms Stock:** 0.5" x 0.75" Trim/Hobby wood strip.
- **Connectors:** 1/4" Hardwood Dowel rod (pins).
- **Glue & Paint:** Safe, non-toxic water-based Titebond Wood Glue and Kid-Safe low-VOC acrylic paints.

This plan is engineered with strict boundary roles so children can safely experience woodcraft fundamentals without handling dangerous cutting elements.

COMPONENT	EXACT DIMENSIONS	SAFETY ACTION ROLES ASSIGNED
A: Head Cube	1.50" x 1.50" x 1.50"	PARENT ONLY Cuts block. KID TASK Measures line.
B: Torso Unit	0.75" x 1.50" x 2.25"	PARENT ONLY Power sawing / Boring.
C: Split Legs	0.75" x 1.50" x 2.50"	PARENT ONLY Safe cutting of deep kerf slot.
D: Side Arms	0.50" x 0.75" x 2.25" (x2)	COLLABORATION Kid sands smooth; parent trims stock.

Wood Minecraft Toy Technical Illustration



Collaborative Construction Steps

1 Measuring and Geometry Layout Marking

JOINT COLLABORATION

Lay the wooden board flat on your workspace. Hand the 0.5mm mechanical pencil and combination square to your child. Guide their hand to mark out lines at exactly 1.50" for the Head, 2.25" for the Torso, and 2.50" for the Leg block. This introduces basic engineering math and measurements safely!

2 Precision Cutting & Milling Operations

PARENT EXECUTION ONLY

Have the child take three steps back to the designated "Safety Line Zone." Secure the marked wood into your bench vise. Carefully use your Japanese pull saw or bandsaw to sever the blocks smoothly along your kid's layout marks. Keep all edges cleanly squared off.

3 Forming the Leg Character Split

PARENT EXECUTION ONLY

Clamp the 2.50" Leg Block (C) vertically inside the vise. Use a fine-tooth hand saw or scroll saw to slice a straight line directly down the center mark at 0.75". Stop cutting exactly 1/4" from the top edge to guarantee structural stability. This gives the distinct separate leg look.

4 Joint Drilling for Articulation Pins

PARENT EXECUTION ONLY

Using a 1/4" brad-point bit fitted into a drill or drill press, drill a 1/2" deep joint socket into the bottom-center of the Head (A) and matching top-center of the Torso (B). For the arms, bore 1/4" holes into the side shoulder coordinates on the upper torso and inner arms.

5 The Sanding Master Class

KID-FRIENDLY MASTER FOCUS

This is where the child takes total control! Wrap 180-grit and 220-grit sandpaper around small flat blocks. Show your child how to sand away fuzz and split edges until the wood feels smooth like paper. Remind them to keep faces flat to preserve the block look!

6 Applying Wood Adhesive & Clamping Stacks

JOINT COLLABORATION

Have the child use a small craft brush to paint a thin layer of non-toxic wood glue onto the solid top band of the Leg Block. Together, stack the Torso directly over it. The parent then applies a bar clamp to lock the structural pieces in position for 30 minutes.

7 Character Art Designing & Detailing

KID-FRIENDLY MASTER FOCUS

Once the glue has fully set, push the 1/4" hardwood dowel pins into the head and arms joints. Hand over child-safe acrylic hobby paints or paint markers! Your child can tape off blocks using painter's tape to systematically paint the classic blue shirt, dark blue pants, and iconic square pixel eyes.



ECO & SAFE MATERIALS NOTE

Basswood is an ultra-sustainable, fast-growing domestic hardwood that is entirely non-toxic. Paired with water-based glue and VOC-free milk or acrylic paints, this project ensures complete safety for young skin and lungs.



PARENT TIP

If joints are too snug, roll a tiny piece of sandpaper into a straw shape and let your kid twist it inside the holes to expand the fitment safely!